

LMD-120A

Current Loop- Powered Digital Indicator

Easy to use. Powered by the 4–20 mA signal loop input; requires no external AC or DC.

**2-Year
Warranty**



LR45322
Class I, Division 1,
Groups A, B, C, & D

**See Third-Party Approvals*



FEATURES

- Standard SAE gasketed and spray-proof case; fits panels with 3³/₈ in. openings.
- High noise immunity; no power line or supply connections.
- Liquid crystal display (LCD); no outdoor fade-out; 0.4 in. high digits.
- Ease of calibration; field-adjustable to any readout range by integral multiturn zero and span potentiometers, decimal point switches, and fifth-digit fixed zero switch.
- Bipolar display; positive and negative readouts.
- Rugged and reliable.

*Third Party Approvals: CSA: (LR45322)
Class I, Division 1, Groups A, B, C, & D.
Intrinsically safe: when connected through a
CSA-certified single channel Zener barrier
rated 28.5 volts maximum, 300 Ω minimum.

SPECIFICATIONS

Input Signal: 4 to 20 mA.

Display: 3 $\frac{1}{2}$ digits (1 digit resolution) or 4 $\frac{1}{2}$ digits (10-digit resolution), bipolar. The display can be extended to 4 $\frac{1}{2}$ digits by entering a fixed zero in the least significant digit position via a user-selectable switch.

Span and Zero Adjust: 25-turn potentiometers permit adjustment of the display to any desired span from 100 up to 2000 units and for any required initial reading from –1000 to +1000. (4 mA input for initial reading; 20 mA input for maximum indication.)

Typical calibrations: 0 to +1999, –500 to +500, +800 to +1000, etc. The fifth digit (dummy zero) can be turned on for readouts up to +19990.

Loop Burden: Less than 2 volts, i.e. 100 Ω at 20 mA.

Environment Temperature: 0°F to +165°F (–18°C to +74°C).

Weight: 1 lb, maximum (0.454 kg).

Gekko, Inc.

P.O. Box 667306

Houston, Texas 77266

United States



Online Industrial Super Store

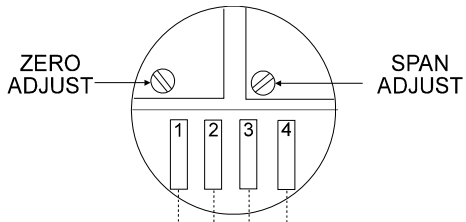
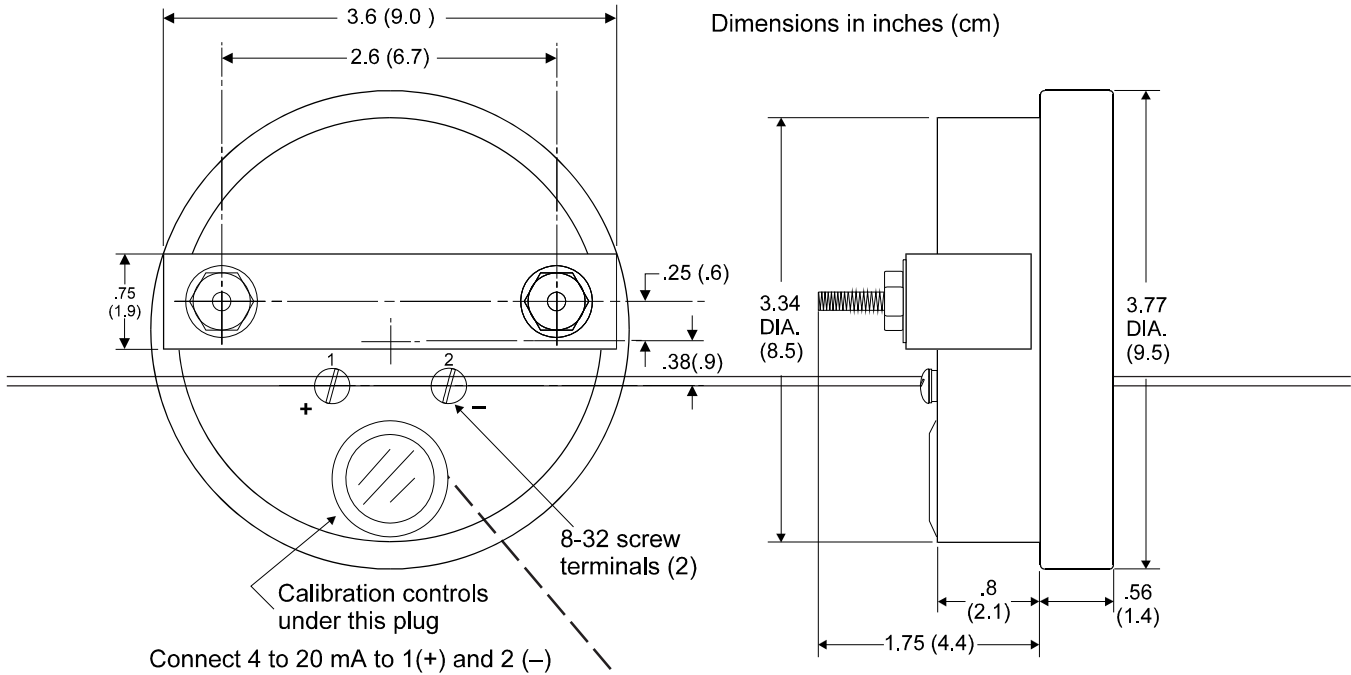
Phone: (713) 552-1629

Fax: (713) 527-0249

Email: store@gekko-inc.com

Web: www.gekko-inc.com

OUTLINE DRAWING



1.9.9.90

VIEW WITH PLUG REMOVED

Calibration Controls under plug (rear).
 Switches 1, 2, & 3 control decimal points as shown.

Switch 4 adds a dummy zero (fifth digit, fixed zero) to extend range beyond +1999, (to +19990).

<p>Gekko, Inc. P.O. Box 667306 Houston, Texas 77266 United States</p>	<p>Online Industrial Super Store</p>	<p>Phone: (713) 552-1629 Fax: (713) 527-0249 Email: store@gekko-inc.com Web: www.gekko-inc.com</p>
---	--------------------------------------	---