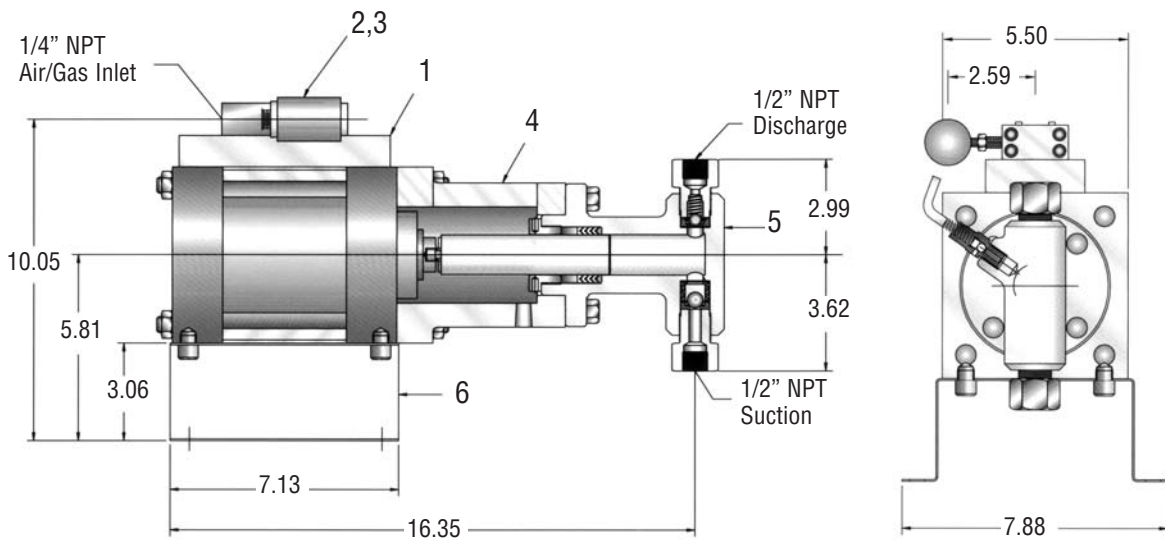




PACKING/SEAL MATERIAL SELECTION

Material	Temp. Range	Suggested Pressure Range	Comments
Buna	-40° to 200°F	0-5000 PSI	Soft material – fair wear resistance – used mainly for methanol service
Viton®	-10° to 200°F	0-5000 PSI	Broad chemical compatibility, but not used with ethyl or methyl alcohols
Teflon®	-30° to 180°F	0-3000 PSI	Tough material with very good wear resistance. Excellent chemical inertness
HP Buna	-40° to 200°F	to 10,000 PSI	Very good high pressure capability
HP Viton®	-10° to 200°F	to 10,000 PSI	Very good high pressure capability

SIMPLEX DIMENSIONS



PARTS LIST

Item	Part No.	No. Reqd.	Name	Material
1	TB-1641	1	Power Unit-SPLX	
2	TA-6320	1	Nipple	SST
3	TA-5851	1	Speed Control Valve	Aluminum
4	TC-2141	1	Yoke	Aluminum
5		1	Fluid End Body Assembly	CF8M
6	TB-1644	1	Mounting Bracket	16 GA Galv. Steel
7	TB-1643	1	Yoke Cover (not shown)	Plastic

MATERIALS

Fluid End Assembly

Body.....	316 SS
Plunger.....	17-4 SS Ceramic
Packing Gland.....	303 SS
Packing Nut.....	303 SS
Check Valve Balls.....	316 SS
Priming Valve.....	303 SS

Power Unit Assembly

Nipple.....	SST
Speed Control Valve.....	Aluminum
Yoke.....	Aluminum
Mounting Bracket.....	16 GA Galv. Steel
Yoke Cover.....	Plastic

PARTS LIST

Item	Part No.	No. Reqd.	Name	Material
1	TB-1642	1	Power Unit-DPLX	
2	TA-6320	1	Nipple	SST
3	TA-5851	1	Speed Control Valve	Aluminum
4	TC-2141	1	Yoke	Aluminum
5		2	Fluid End Body Assembly	CF8M
6	TB-1644	1	Mounting Bracket	16 GA Galv. Steel
7	TB-1643	1	Yoke Cover (not shown)	Plastic

DUPLEX DIMENSIONS

